

1 2 3 4 5 6

A

B

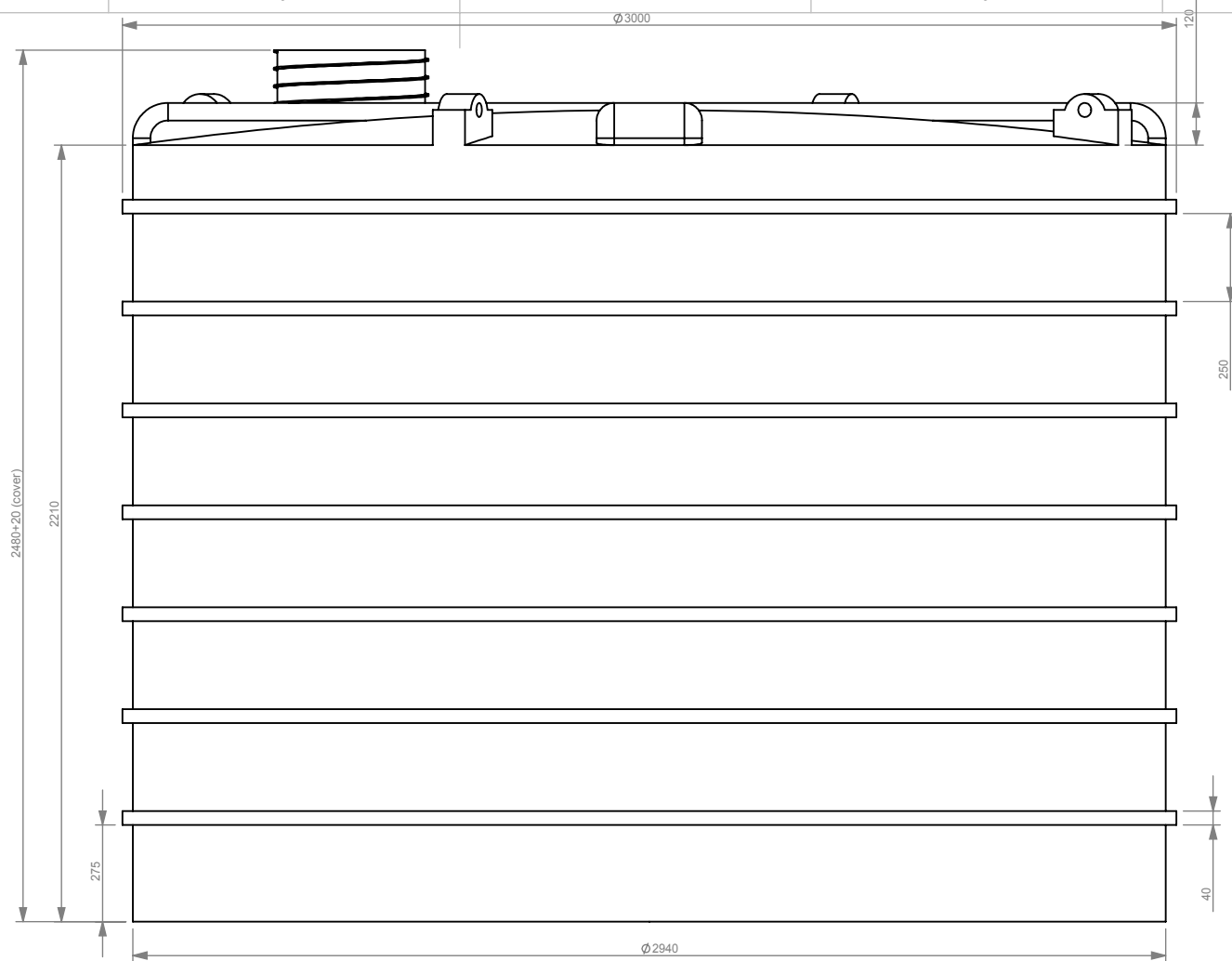
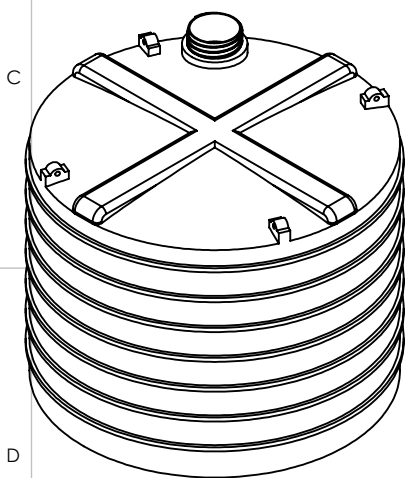
C

D

A

B

C



UNLESS OTHERWISE SPECIFIED:  
 DIMENSIONS ARE IN MILLIMETERS  
 SURFACE FINISH:  
 TOLERANCES:  
 LINEAR:  
 ANGULAR:

FINISH:  
 DEBUR AND  
 BREAK SHARP  
 EDGES

DO NOT SCALE DRAWING REVISION

	NAME	SIGNATURE	DATE		
DRAWN	Eng: Asadiyan				
CHK'D	Eng: Mirzadeh				
APPV'D					
MFG					
Q.A					
				MATERIAL:	
				WEIGHT:	

TITLE:



I.P.O.M

DWG NO. **makhzan 15**

SCALE:1:100 SHEET 1 OF 1

A4