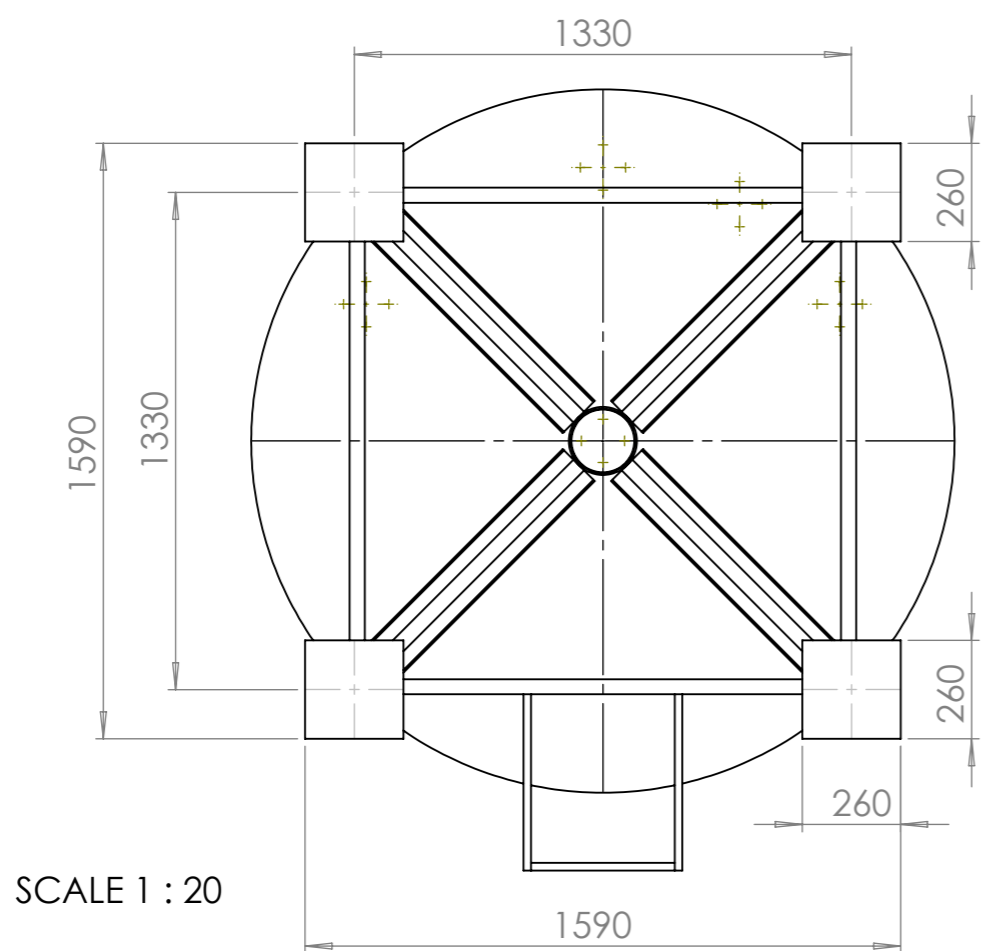
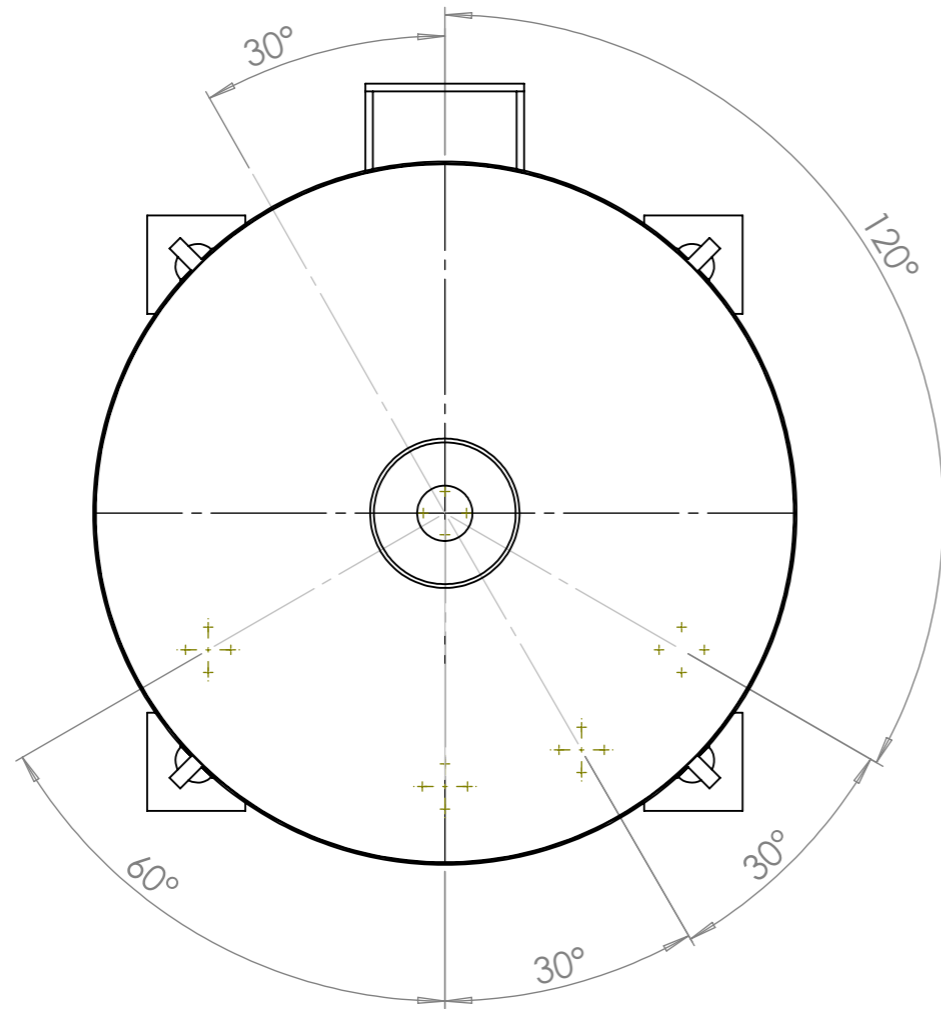
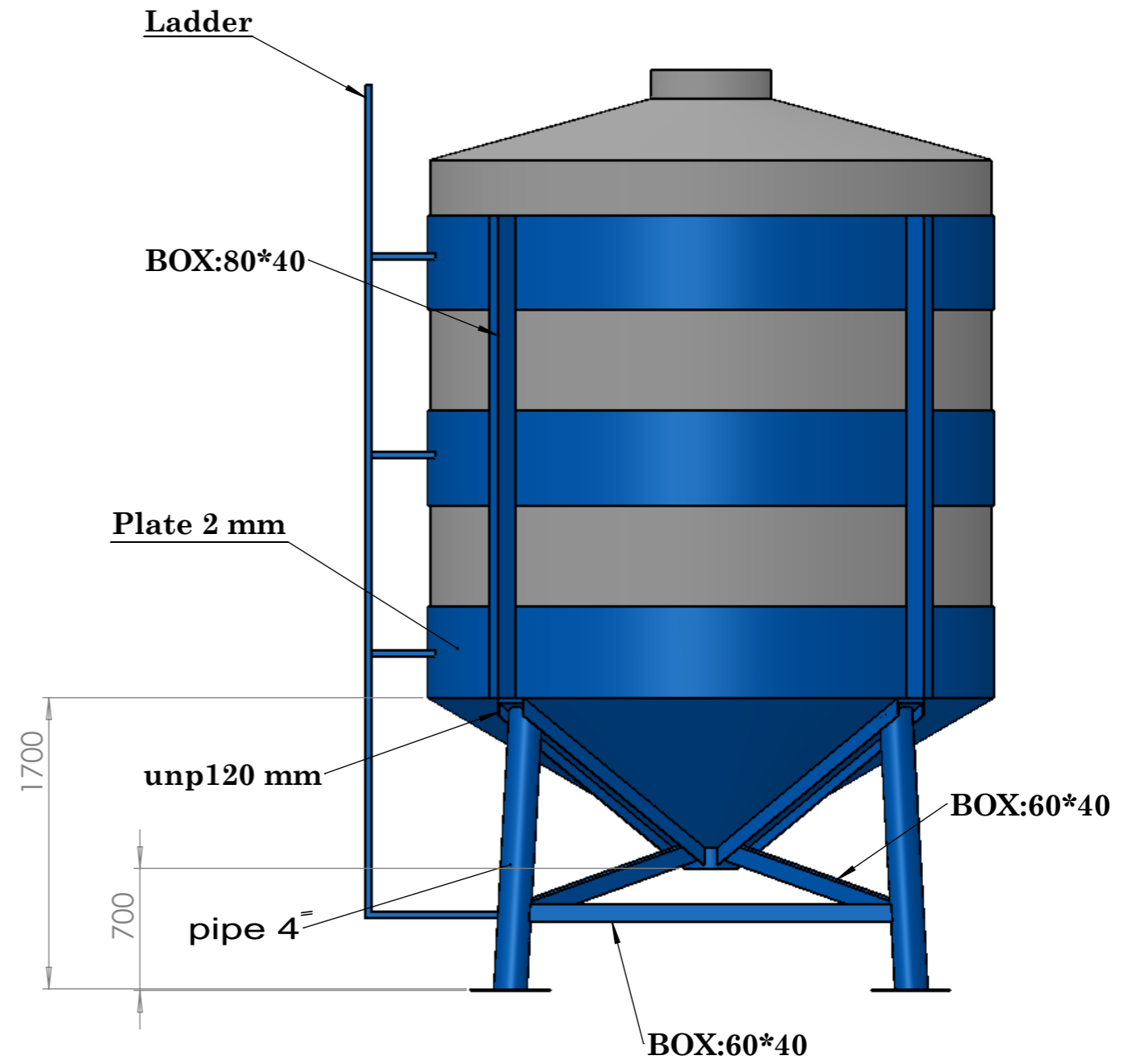


SCALE 1 : 20



SCALE 1 : 20



SCALE 1 : 20

UNLESS OTHERWISE SPECIFIED: DIMENSIONS ARE IN MILLIMETERS SURFACE FINISH: TOLERANCES: LINEAR: ANGULAR:			FINISH: <b>IranPash.co</b>	DEBUR AND BREAK SHARP EDGES	DO NOT SCALE DRAWING	REVISION
DRAWN	NAME	SIGNATURE	DATE		TITLE:	
CHK'D	Eng:Asadiyan				اپوکسی رنگ پایه	
APPV'D	Eng:mirzadeh				پلی اورتان پوشش	
MFG					DWG NO.	5000 sapurt
Q.A				MATERIAL:		A3
				WEIGHT: <b>440 kg</b>	SCALE:1:50	SHEET 1 OF 1