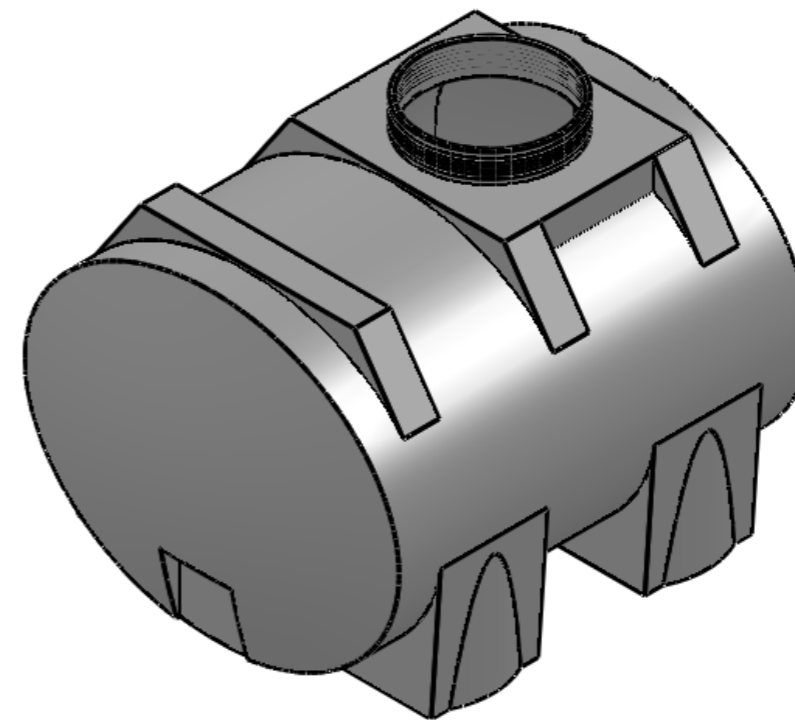
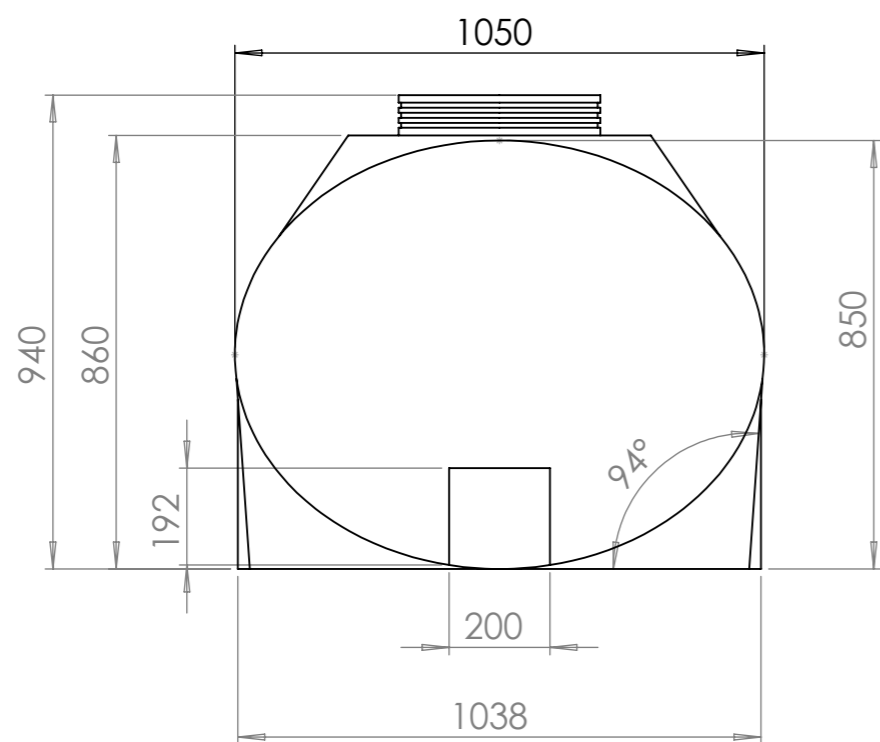


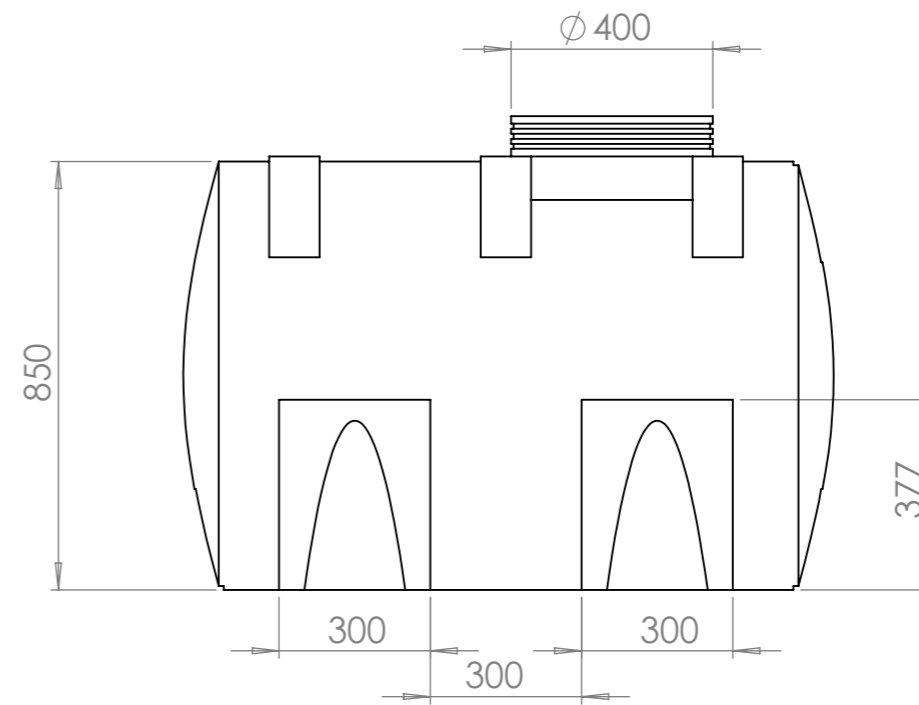
SCALE 1 : 15



SCALE 1 : 15



SCALE 1 : 15



SCALE 1 : 15

UNLESS OTHERWISE SPECIFIED: DIMENSIONS ARE IN MILLIMETERS SURFACE FINISH: TOLERANCES: LINEAR: ANGULAR:				FINISH:		DEBUR AND BREAK SHARP EDGES		DO NOT SCALE DRAWING		REVISION	
DRAWN				SIGNATURE		DATE		TITLE:			
CHK'D											
APPV'D											
MFG											
Q.A						MATERIAL:		DWG NO.		750 htrd	
								SCALE:1:20		SHEET 1 OF 1	
										A3	